

Sandall Road  
Wisbech  
PE13 2PS UK

Tel: +44 (0)1945 47 47 47  
Fax: +44 (0)1945 47 48 49

2<sup>nd</sup> June 2017

Dear Customer,

Anglia have been advised by the manufacturer Taicom that the tooling for the series listed below has been updated with immediate effect, this is due to the old tooling being beyond its serviceable life.

Taicom advise they have also taken this opportunity to revise the mouldings to improve the efficiency and yield of the production process. The revised parts have some minor dimensional and cosmetic appearance changes.

Attached below are the old and new data sheets for comparison purposes.

Series affected by this notification:

TBV2xxBGN

Anglia operates a strict F.I.F.O system in our Distribution Centre therefore it may take some time for this change to filter through to customer deliveries.

Please ensure this information is circulated to the relevant persons within your organisation.

Yours Sincerely  
Anglia

VERTICAL - standard profile

10mm PITCH

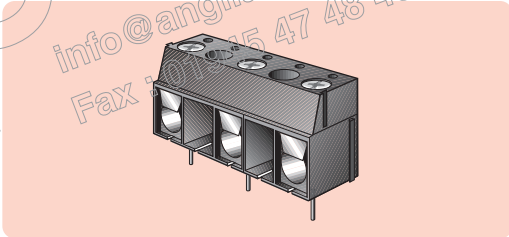
TAICOM type TBV2/BGN



Standard profile, 10mm pitch blocks with a single piece body and fitted with wire protection guards. Wider spacing, using alternate positions in the mouldings, offers improved isolation. Choice of 2 to 12way. Holes provided for test probes.

- N 10mm pitch, 16A rating
- N Standard profile, 12.6mm height
- N Single piece body
- N Wide pin spacing for 240Vac
- N Wire protection
- N Combi screws suit pneumatic tools
- N Black UL94V-0 flame retardant bodies

TECHNICAL DATA FOR REFERENCE PURPOSES ONLY  
 anglia  
 www.anglia.com  
 Tel : 01945 47 47 47  
 info@anglia.com  
 Fax : 01945 47 48 49



Type	Manf. Part No. & anglia Order Code
2 way	TBV202BGN
3 way	TBV203BGN
4 way	TBV204BGN
5 way	TBV205BGN
6 way	TBV206BGN
7 way	TBV207BGN
8 way	TBV208BGN
9 way	TBV209BGN
10 way	TBV210BGN
11 way	TBV211BGN
12 way	TBV212BGN

Other ways available to special order

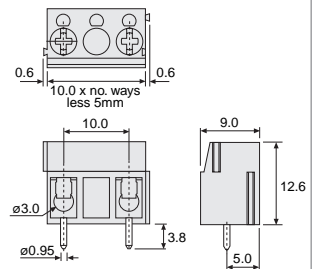
Specification

**Materials**  
 Mouldings ..... Black glass filled polyamide to UL94V-0  
 Terminals ..... Brass, tin plated  
 Screws ..... M3, galvanised steel chromate finish  
 Wire guards ..... Stainless steel

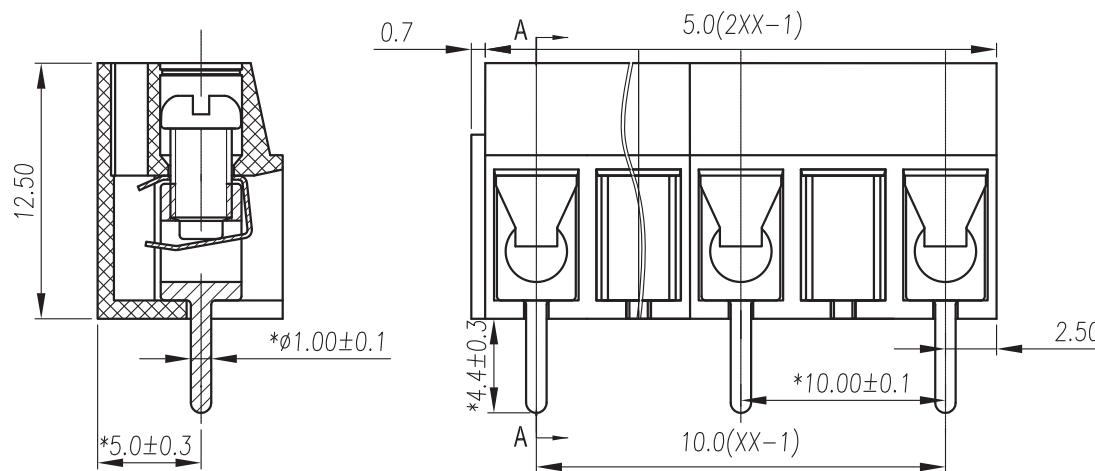
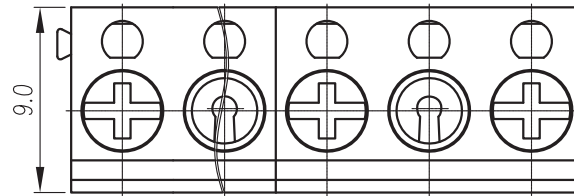
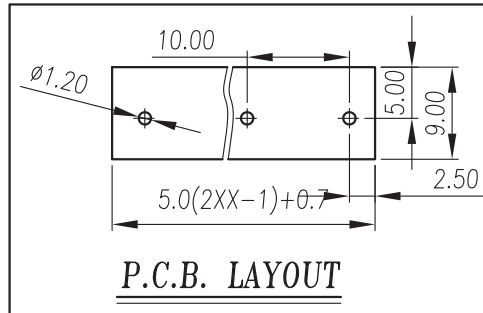
**Ratings (limited by pcb)**  
 Current rating ..... 16A  
 Voltage rating ..... 750Vac  
 Oper. temp. range ..... -33°C to +120°C

**Wire Size**  
 Range ..... 14 to 22awg  
 Metric capacity ..... 2.5mm<sup>2</sup> max. (solid)  
 1.5mm<sup>2</sup> max. (stranded)

Dimensions (mm)



**OLD VERSION**



## SPECIFICATION

Current Rating : 16A AC/DC  
 Voltage Rating : 250V AC/DC  
 Operation Temperature : -30°C to + 120°C  
 Contact Resistance : 20m max.  
 Insulation Resistance : 500M Min.  
 Wire Range : 22-16AWG 1.5mm  
 Withstand Voltage : 2000V AC/minute

### Mechanical

Torque : 0.5Nm  
 Strip length : 4.5-5mm  
 Soldering : + 250°C Max for 5 sec  
 Pitch : 10mm  
 Poles : 3-24p

### Housing

Screws : PA66, UL94V-0  
 M3, Steel Zn Plated  
 Pin header: Brass, Tin plated  
 Shrapnel: Phosphor bronze  
 Ni plated

		linear dimension (Tolerances Standard GB/T 14486-2008)															
variable range	to	over 6	over 10	over 18	over 30	over 50	over 80	over 120	over 160	over 200	over 250	all	to 5	over 30	over 120	to	
		to 6	to 10	to 18	to 30	to 50	to 80	to 120	to 160	to 200	to 250	to 5	to 30	to 120	to		
tolerance		±0.1	±0.14	±0.19	±0.25	±0.32	±0.43	±0.57	±0.72	±0.88	±1.05	±1.25	0.5	0.025	0.06	0.12	0.4

RoHS Compliant

## Taicom TBV2xxBGN (NEW VERSION)

Title : Vertical, 10mm Pitch, Wireguard

Tolerance (Unless Specified) : .x = ±0.20  
 .xx = ±0.15

Dim : (mm)

Angle :